

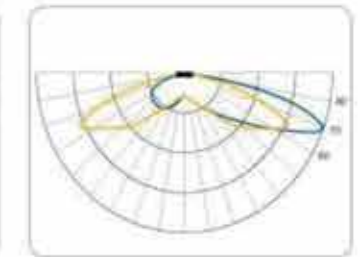
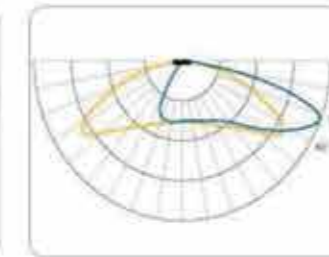
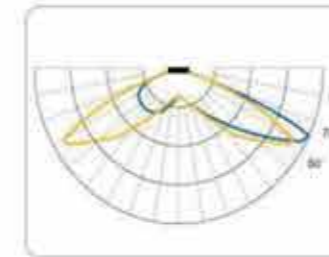
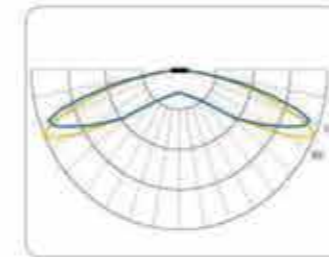
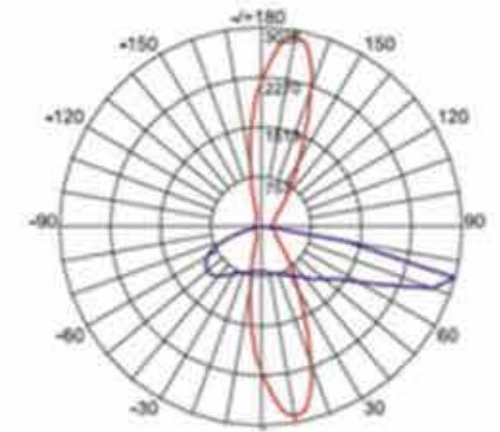


## LED Street Light

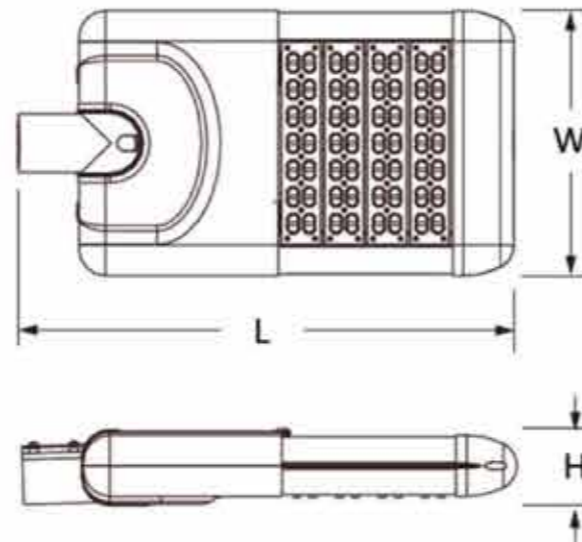
### Areas of application

High way, express way, Main road, branch road, parking lot, Public square & Playground etc





- L70 greater than 100,000 hrs @25°C
- CREE/Brigelux high lumen LED
- MeanWell/Philips stable power supply
- PF> 0.95 CRI>80, Beam angle 60X150°
- Up to 50,000 hours lifetime
- Overpower, overheat and short circuit protected
- High color homogeneity
- RoHS-conformity, no mercury
- Non-dimmable/ dimmable/RGB optional
- Energy efficiency class A+
- Ambient temperature range -25...+50°C
- Input 90-305V AC, 50-60Hz
- Type of protection IP65
- Protection class IK IK09
- CCT 2700/4000/5700/6500K optional
- Two meters cable
- Type III, type II, type V and type IV optional



Item No.	Total power (W)	Luminous flux(lm)	Product size (LxWxH mm)
LLUX-09-32W	32	2880	502x346x102
LLUX-09-65W	65	5850	564x346x102
LLUX-09-92W	92	8280	626x346x102
LLUX-09-123W	123	11600	688x346x102
LLUX-09-150W	150	14000	750x346x102
LLUX-09-186W	186	17600	812x346x102
LLUX-09-215W	215	20400	874x346x102
LLUX-09-245W	245	23000	936x346x102
LLUX-09-275W	275	26000	998x346x102
LLUX-09-305W	305	28500	1060x346x102
LLUX-04-35W	35	3270	658x234x123
LLUX-04-70W	70	6540	841x234x123
LLUX-04-120W	120	9998	670x349x163
LLUX-04-150W	150	13115	743x349x163
LLUX-04-240W	240	19050	889x349x163